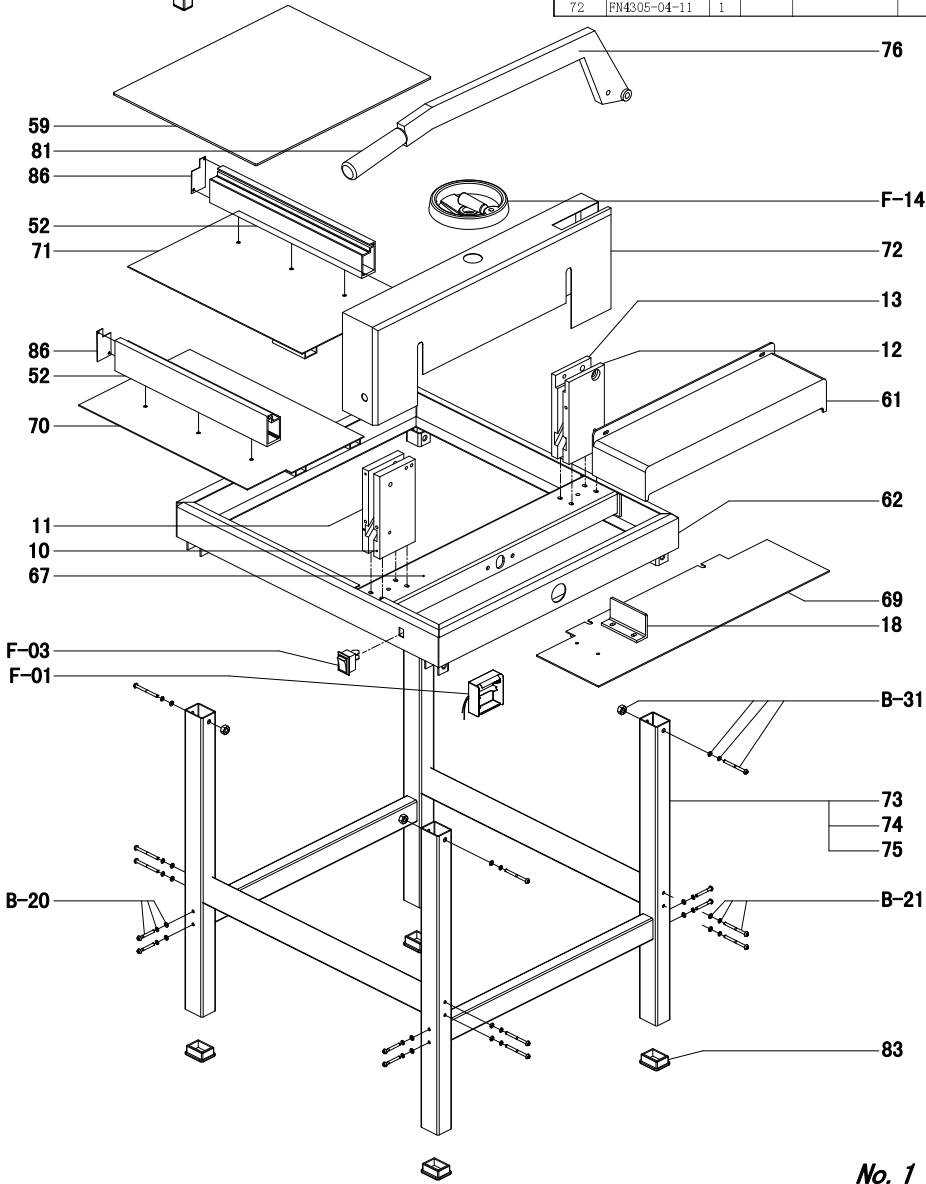
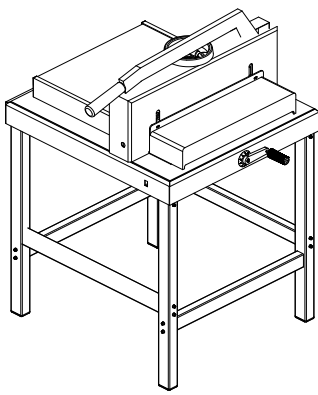


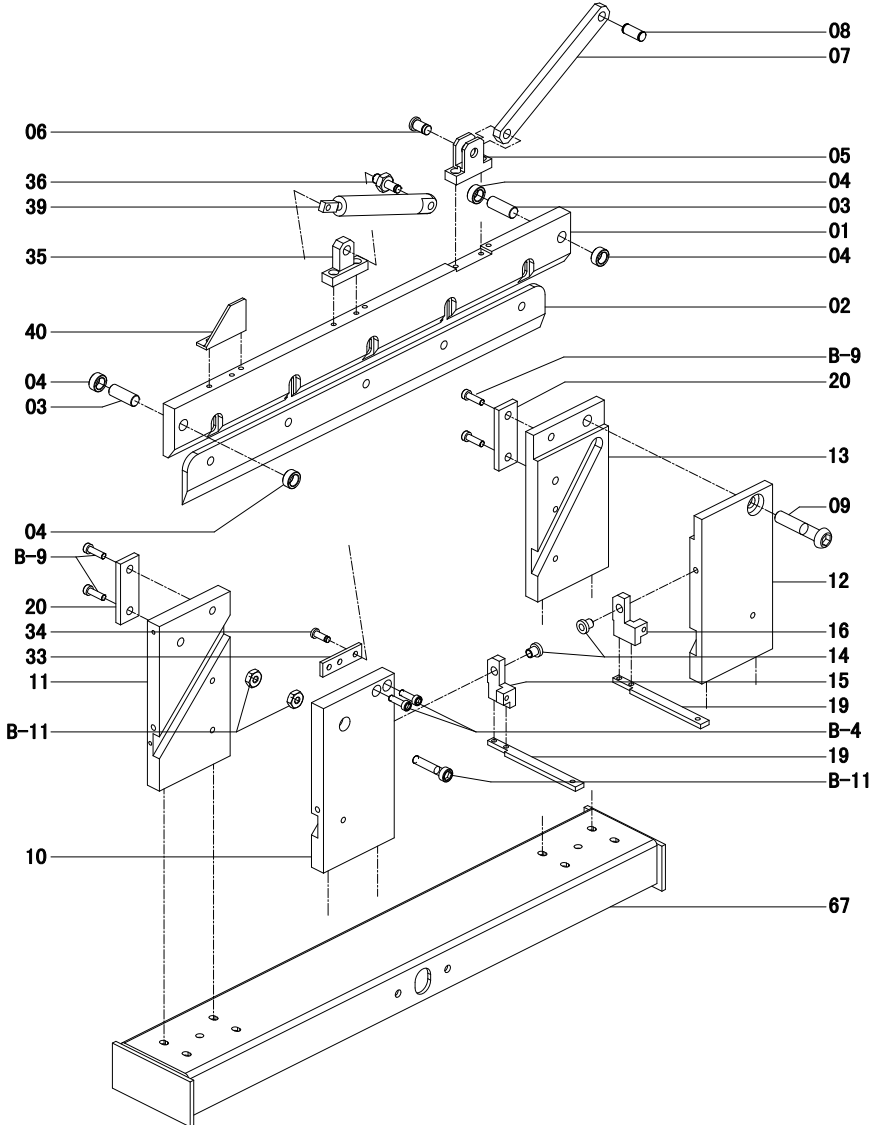
List of Components (FN4305)					
No.	Diagram No.	Qty.	No.	Diagram No.	Qty.
10	FN4305-01-10	1	73	FN4305-04-12	2
11	FN4305-01-11	1	74	FN4305-04-13	2
12	FN4305-01-12	1	75	FN4305-04-14	4
13	FN4305-01-13	1	75	FN4305-04-14	4
18	FN4305-01-21	1	76	FN4305-04-15	1
52	FN4305-03-10	2	81	FN4305-04-20	1
59	FN4305-03-17	1	83	FN4305-04-29	4
86	FN4305-04-33	2	F-01	FN4305-F-01	1
62	FN4305-04-01	1	F-03	FN4305-F-03	1
67	FN4305-04-06	1	F-14	FN4305-F-14	1
69	FN4305-04-08	1	B-20		8
70	FN4305-04-09	1	B-21		8
71	FN4305-04-10	1	B-31		4
72	FN4305-04-11	1			

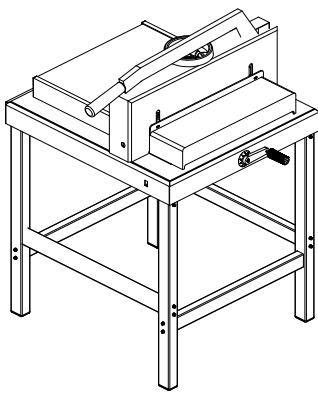




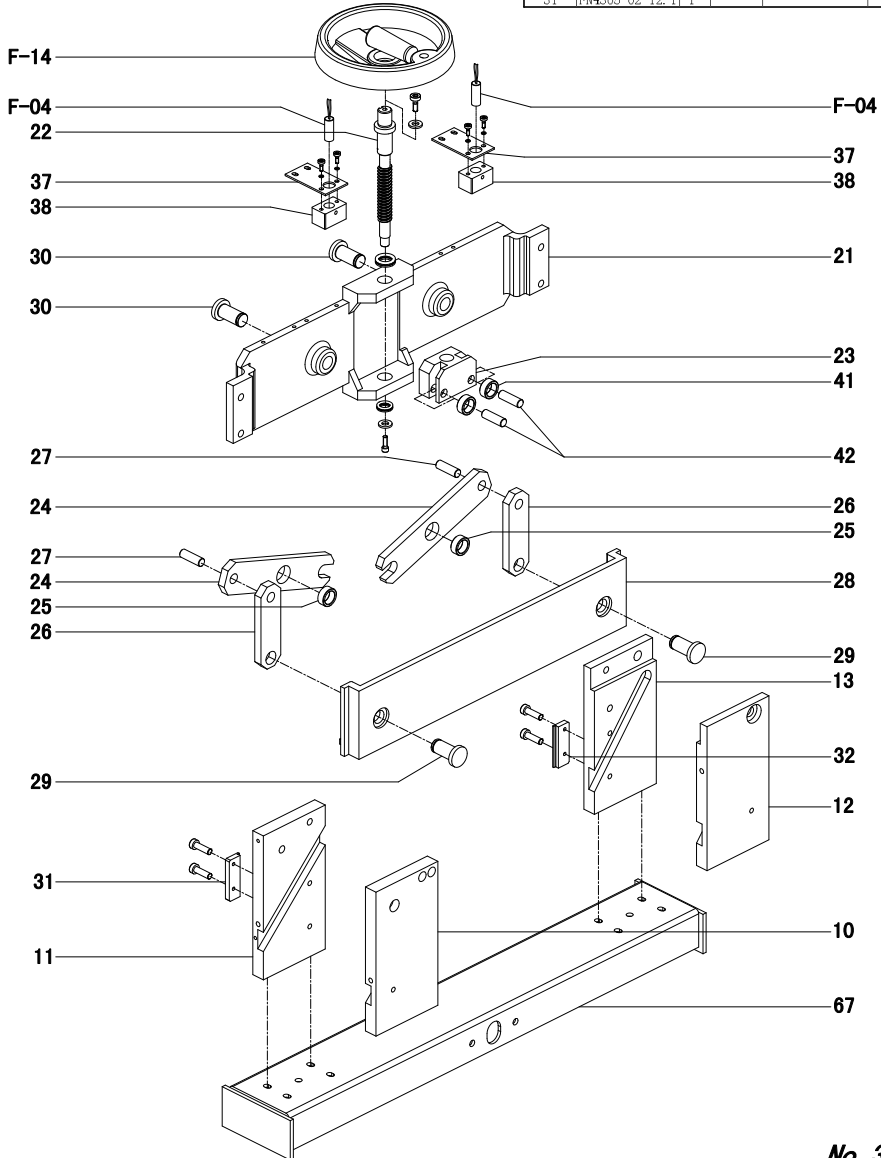
List of Components (FN4305)

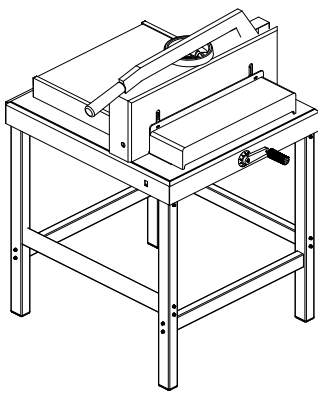
No.	Diagram No.	Qty.	No.	Diagram No.	Qty.
01	FN4305-01-01	1	16	FN4305-01-19	1
02	FN4305-01-02	1	17	FN4305-01-20	1
03	FN4305-01-03	2	18	FN4305-01-21	1
04	FN4305-01-04	4	19	FN4305-01-25	2
05	FN4305-01-05	1	20	FN4305-01-26	2
06	FN4305-01-06	1	33	FN4305-02-13	1
07	FN4305-01-07	1	34	FN4305-02-14	1
08	FN4305-01-08	1	35	FN4305-02-15	1
09	FN4305-01-09	1	36	FN4305-02-16	1
10	FN4305-01-10	1	39	FN4305-02-19	1
11	FN4305-01-11	1	40	FN4305-02-20	1
12	FN4305-01-12	1	B-4		2
13	FN4305-01-13	1	B-9		4
14	FN4305-01-17	2	B-11		1
15	FN4305-01-18	1			





List of Components (FN4305)					
No.	Diagram No.	Qty.	No.	Diagram No.	Qty.
10	FN4305-01-10	1	32	FN4305-02-12.2	1
11	FN4305-01-11	1	37	FN4305-02-17	2
12	FN4305-01-12	1	38	FN4305-02-18	2
13	FN4305-01-13	1	41	FN4305-02-22	2
21	FN4305-02-01	1	42	FN4305-02-23	2
22	FN4305-02-02	1	F-14	FN4305-F-14	1
23	FN4305-02-03	1	F-04	FN4305-F-04	2
24	FN4305-02-05	2			
25	FN4305-02-06	2			
26	FN4305-02-07	2			
27	FN4305-02-08	2			
28	FN4305-02-09	1			
29	FN4305-02-10	2			
30	FN4305-02-11	2			
31	FN4305-02-12.1	1			





List of Components (FN4305)

No.	Diagram No.	Qty.	No.	Diagram No.	Qty.
43	FN4305-03-01	1	59	FN4305-03-17	1
44	FN4305-03-02	1	60	FN4305-03-18	1
45	FN4305-03-03	1	84	FN4305-04-30	12
46	FN4305-03-04	1	B-26		4
47	FN4305-03-05	1			
48	FN4305-03-06	1			
49	FN4305-03-07	2			
50	FN4305-03-08	1			
51	FN4305-03-09	1			
53	FN4305-03-11	1			
54	FN4305-03-12	1			
55	FN4305-03-13	1			
56	FN4305-03-14	1			
57	FN4305-03-15	1			
58	FN4305-03-16	1			

